

RF43

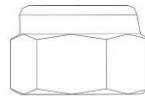


A



x1

B



x2



13



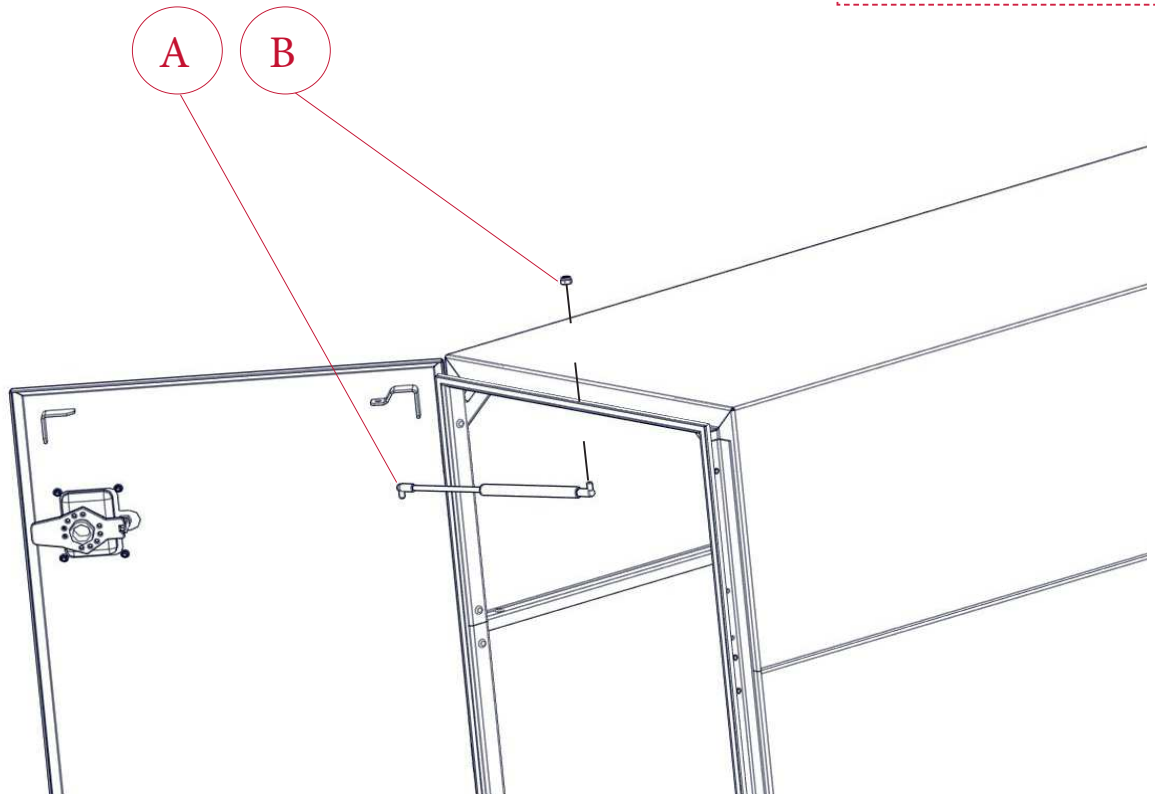
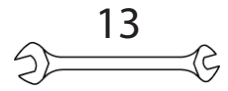
CHANGEMENT COMPAS COFFRE

NOT-0236

IM00

19/06/24

1



2

